

Spare parts

Truck-mounted concrete pumps



SCHWING Stetter
GENUINE PARTS



RECORD BREAKING ENGINEERING



Performance. Safety. Efficiency.

Premium quality: Extended lifetime - excellent price-performance ratio

- Genuine spare parts are developed and manufactured according to our exact specifications and then tested and checked by our quality management - for maximum service life and minimum downtime.
- Genuine spare parts maintain the original condition and quality of your machine.
- Genuine spare parts offer tangible added value - they are guaranteed to fit, last longer and offer excellent value for money.
- With genuine spare parts, you preserve the “original” condition of your machine - for maximum resale value and to protect your critical working capital.”

Optimal performance: Lower operating costs for more profitability

- Genuine spare parts optimize the productivity of your machine by consistently meeting our high performance requirements and efficiency standards.
- The guaranteed fit and operating efficiency of genuine spare parts is ensured by our strict quality assurance systems.
- Third-party spare parts are often untested, made of inferior materials and do not harmonize with our system components due to insufficient quality standards. The increased likelihood that they are defective leads to a serious risk of damage to your machine and to a limitation of occupational safety.

High availability of original spare parts: So that you stay in operation

- More than 40,000 different genuine spare parts are immediately available through our worldwide sales network, immediately available - even for older machines.
- With the free online spare parts catalog for more than 30,000 SCHWING-Stetter products, you can easily and quickly search for genuine spare parts.
- The high availability of spare parts minimizes machine downtime and optimizes capacity utilization.

Warranty from the manufacturer: For your safety

- 12 months SCHWING-Stetter warranty
- Protection of your investment
- Certified quality assurance

NEW: Your way to the spare parts, follow your guide line

Designation

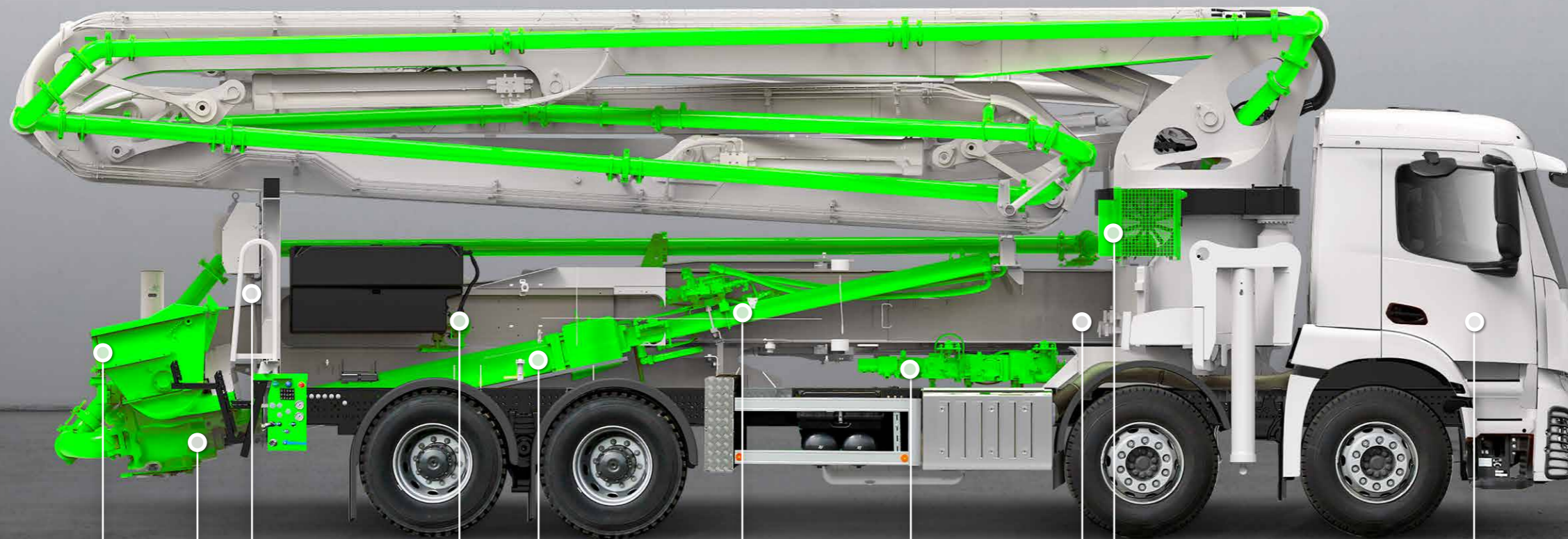
- Differential cylinders
- Filter
- Pumping cylinder pipes and attachment parts
- ROCK valves
- Hopper
- Remote control systems
- Water system
- Drive unit
- Hydraulics/ Boom control block

Your direct contact to SCHWING spare parts sales:

parts@schwing.de



Spare parts for truck-mounted concrete pumps



- Hopper Page 13-16
- ROCK valves Page 10-13
- Water system Page 17
- Pressure accumulator Page 19
- Pumping cylinder pipes / Pumping piston Pages 8-9

- Remote control systems Page 17
- Filter Page 7
- Hydraulics/ Boom control block Page 19
- Drive unit Pages 18-19
- Differential cylinders Page 6

Differential cylinders

Description	ID. Number
Sealing sets differential cylinders	
Sealingset 110/75 modification set 98319428 for diff.-cyl. 10176356	rod: 98320061
Sealingset 110/75 modification set 98434745 for diff.-cyl. 10176356	piston: 98432566
Sealingset 110/75 for diff.-cyl. 10176356 (Vers. 04; 04/2008 - 12/2017)	98320061
Sealingset 110/75 for diff.-cyl. 98352406 (as from 01/2018)	rod: 98432566
Sealing 110/75 for diff.-cyl. 98352406 (as from 01/2018)	piston: 98432567
Sealingset 120/80 for diff.-cyl. 10031492	10176525
Sealingset 120/80 modifocation set 98378086 for diff.-cyl. 10031492	98378089
Sealingset 120/85 für diff.-cyl. 10164038	98418594
Sealingset 120/85 modification set 98434944 for diff.-cyl. 10164038	98432570
Sealingset120/85 for diff.-cyl. 98369465 (as from 01/2018)	rod: 98432570
Sealingset120/85 for diff.-cyl. 98369465 (as from 01/2018)	piston: 98432581
Sealingset 130/80 for diff.-cyl. 10023479	98433786
Sealingser 130/80 modifiction set 98435366 for diff.-cyl. 10023479	98435367
Sealing gland set D 80 and 85 mm	see K-Info 138
Screw differential cylinders	
Screw M 12 x 60	10001200 Pieces 12/ cyl.
Screw M 12 x 30	10001186 Pieces 12/ cyl.



Filter

Description	ID. Number
Filter element for Breather filter 98330518	98330519
Filter element only for spar parts	10190588
Filter element for cooler-filter combination 98346089 / 98346090	98380243
Filter element for 10036507	10021810
Filter element for 10190712	10190713
Filter element for 10002945 / 10011945	10002989
Filter element for 10119768 and 10176112	10073397
Filter element for 10161392	10163031
Filter element for 10155109	10155110
Filter element for 10072693	10072694
Return flow filter replacment for 10155109	98333008
Boom filter (till S 47 SX III)	98333015
Filter emelment for 98333015	98333016
Boom filter (from S 52 SX on)	98333017
Filter emelment for 98333017	98333019
Filter emelment for 98333008	98333014



Pumping cylinder pipes and attachment parts

Description	ID. Number
Pumping cylinder DN200	
Pumping cylinder pipe DN200 x 2000	10027875
Pumping cylinder pipe DN200 x 2000 Cr	10208405
O-Ring 220 x 3	10000630
O-Ring 214 x 5	10000616 2 Pieces
Splitted ring DN200 232 / 210 x 12	10003731 2 Pieces
Pumping cylinder DN230	
Förderzylinderrohr DN230 x 2000	10019377
Förderzylinderrohr DN230 x 2000 Cr	10207171
O-Ring 270 x 3	10000666
O-Ring 240 x 3	10000650 2 Pieces
Geteilter Ring DN230 262 / 242 x 12	10003158 2 Pieces
Pumping cylinder DN250	
Pumping cylinder pipe DN250 x 2000	10201755
Pumping cylinder pipe DN250 x 2000 Cr	10302606
Pumping cylinder pipe DN250 x 2500	10178873
Pumping cylinder pipe DN250 x 2500 Cr	10202132
O-Ring 270 x 3	10000666
O-Ring 265 x 5	10000663 2 Pieces
Splitted ring DN250 280/260 x 15	10163527 2 Pieces



Pumping cylinder pipes and attachment parts

Description	ID. Number
Multi-Piece piston DN230/250	
Multi-Piece-Kit DN230	98451161
Piston sealing DN230	98438501
Guide ring DN230	98438500
Schraube M 20 x 210	98405966
Sperrkantscheibe SKM 20	10145474
Screw M 20 Kit	10009598
Multi-Piece-Kit DN250	98451163
Piston sealing DN250	98438666
Guide ring DN250	98438667
Screw M 20 x 210	98405966
Disc SKM 20	10145474
Nut M 20	10009598



Pumping piston

Description	ID. Number
Pumping piston standard	
Pumping piston DN200	10161754
Pumping piston DN230	10161634
Pumping piston DN250	10161980
Pumping piston compact	
Pumping piston DN230	98443417
Pumping piston DN250	98443416



ROCK valves

Description	ID. Number
Slewing cylinder	
Slewing cylinder D 80/45 x 185	10094569
Sealing set for slewing cylinder	10064756
Slewing pivot	10118218
Bushing split	10118219
Bushing 90	10060528
Bushing 35	10006726
ROCK	
M-ROCK DN210/180 m	10197734
Big-ROCK DN220/180	10181912
Slewing shaft	
Slewing shaft M-ROCK	10064073
Slewing shaft B-ROCK	10180090
Screw M 30 x 150	10001295
Schnorr lock washer S 30	10015401
Slewing shaft bearing	
Cover sealing	10018035
Cover	10029441
Bearing bushing D 95/108 x 70	10018037
O-Ring 95 x 8	10016241
Sealing	98437073
Bearing bushing D 70/95 x 80	10018047
O-Ring 70 x 8	10017436
Grooved gasket	98437073



ROCK valves

Description	ID. Number
Repeat parts	
Big-ROCK-Repeat parts	
Cutting ring DN220	10181916
Pressure spring DN220	10181917
Seal DN180 - Kidney	10029138
Housing lining DN180	10018046
O-Ring 195 x 3	10016664 2 Pieces
Big-ROCK-DN250/220/180	
Base plate	10166657
Wearing insert DN250	10181938
O-Ring 242 x 4	10128455 2 Pieces
O-Ring 282 x 4	10134420 2 Pieces
Big-ROCK-DN230/220/180	
Base plate	10074769
Wearing insert DN230	10074768
O-Ring 225 x 3	10016665 2 Pieces
O-Ring 265 x 5	10000663 2 Pieces
M-ROCK-Repeat parts	
Base plate	10074769
Cutting ring DN210	10063939
Pressure spring DN210	10064472
Seal DN180 - Kidney	10029138
Wearing insert DN180	10018046
O-Ring 195 x 3	10016664 2 Pieces
M-ROCK DN230/210/180	
Wearing insert DN230	10074768
O-Ring 225 x 3	10016665 2 Pieces
O-Ring 265 x 5	10000663 2 Pieces
M-ROCK DN200/210/180	
Wearing insert DN200	10074767
O-Ring 207 x 3	10014002 2 Pieces
O-Ring 214 x 5	10000616 2 Pieces



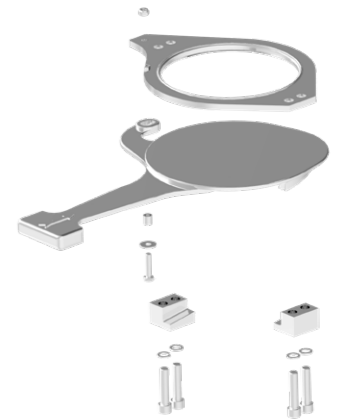
ROCK valves

Description	ID. Number
Carbide wear parts repeat parts	
Big-ROCK-Repeat parts	
Cutting ring DN220 HM	10182449
Pressure spring DN220	10181917
Kidney DN180 HM	10129837
Seal	10129838
Wearing insert HM	10129833
O-Ring 195 x 3	10016664 2 Pieces
Big-ROCK- DN250/220/180	
Base plate DN220 HM, incl. HM I+II	10183638
Wearing plate DN220 HM I	10183640
Wearing plate DN220 HM II	10183641
Wearing insert DN220 HM, lefthand	10183355
Wearing insert DN220 HM, righthand.	10190439
O-Ring 242 x 4	10128455 2 Pieces
O-Ring 282 x 4	10134420 2 Pieces
Big-ROCK- DN230/220/180	
Base plate DN210 incl. HM I+II	10146062
Wearing plate DN210 HM I	10146063
Wearing plate DN210 HM II	10146064
Wearing insert DN230/210 HM	10081097 2 Pieces
O-Ring 225 x 3	10016665 2 Pieces
O-Ring 265 x 5	10000663 2 Pieces
M-ROCK-Repeat parts	
Base plate DN210 inkl. HM I+II	10146062
Wearing plate DN210 HM I	10146063
Wearing plate DN210 HM II	10146064
Cutting ring DN210 HM	10081098
Pressure spring DN210	10064472
Seal	10129838
Housing lining HM	10129833
GHousing lining DN180	10018046
O-Ring 195 x 3	10016664 2 Pieces



ROCK valves

Description	ID. Number
M-ROCK - DN230/210/180	
Wearing insert DN230/210 HM	10081097 2 Pieces
O-Ring 225 x 3	10016665 2 Pieces
O-Ring 265 x 5	10000663 2 Pieces
M-ROCK - DN200/210/180	
Wearing insert DN200/210 HM	10081096 2 Pieces
O-Ring 207 x 3	10014002 2 Pieces
O-Ring 214 x 5	10000616 2 Pieces
Cleaning cover	
Locking cover DN250	10080782
Sealing ring	10001283
Clamping piece, lefthand	10032789
Clamping piece, righthand	10032788
Screw M 16 x 70	10001671
Schnorr locking washer S16	10006723
Tube 16 x 2.5 x 17	10020389
Disc 10.5	10001381
Nut M 10	10001283
Screw M 10 x 45	10001307



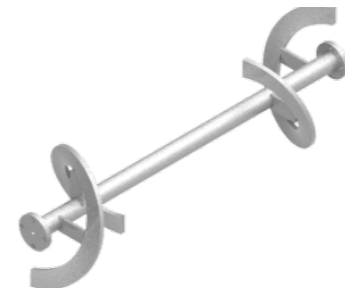
Hopper

Description	ID. Number
M-ROCK	
Concrete vibrator 24V, cable 2.5m replaced by 98416044	10072107
Concrete vibrator 24V, cpl. (Set)	98416044
Concrete vibrator 24V, cable 2.5m part of 98416044	98414863
Adapter 3pol. / 2pol. part of 98416044	98415668
Hydraulic motor 465 cm³/U	98400960
Sealingset for hydr.-motor	98414274
Agitator support motor side cpl. only for spare parts	98360051
Agitator support motor side cpl.	98347073
Sealing cone	98471807



Hopper

Description	ID. Number
M-ROCK - DN230/210/180	
O-Ring 60 x 5	10000765
Adapter flange only for spare parts	98360047
Bearing	10061078
Flange bushing	10061082
Bearing cover	98321616
Screw retainer SKM 10	10129841 6 Pieces
Screw M 10 x 80	10001495 5 Pieces
O-Ring 59 x 6.5	10043648
Screw M 10 x 110	10007521
Flange shaft	98321617
Agitator support motor side cpl. only for spare parts	10182404
Agitator support motor side cpl.	10061073
Bearing	10061078
Bearing cover	10061079
Flange shaft	10061080
Disc	10061081
Sealing cone	98471807
Buchse mit Bund	10061082
Disc	10061083
O-Ring 60 x 5	98471783
Parallel pin 3 m 6x 10-St	10061084
Screw M 8 x 25	10001004 3 Pieces
Screw retainer SKZ 8	10138329 3 Pieces
Screw M 6 x 20	10001575 2 Pieces
Screw retainer SKZ 6	10138328 2 Pieces
Screw M 10 x 70	10001156 2 Pieces
Screw retainer SKZ 10	10136867 6 Pieces
Adapter flange only for spare parts	10182401



Hopper

Description	ID. Number
M-ROCK SAI	
Agitator support motor side cpl.	10061072
Agitator support non-motor side cpl.	10061073
Big-ROCK	
Concrete vibrator 24V, cable 2.5m replaced by 98416044	10072107
Concrete vibrator 24V, cpl. (Set)	98416044
Concrete vibrator 24V, cable 2.5m replaced by 98416044	98414863
Adapter 3pol. / 2pol. part of 98416044	98415668
Hydraulic motor 465 cm³/U	98400960
Sealingset for hydr.-motor	98414274
Agitator support motor side cpl.	98347073
Screw M 10 x 75	10001273 5 Pieces
Bearing	10061078
Sealing cone	98471807
Flange bushing	10061082
Bearing cover	98321616
Flange shaft	98321617
O-Ring 60 x 5	98471783
O-Ring 59 x 6,5	10043648
Screw M 10 x 110	10007521
Scre retainer SKM 10	10129841 6 Pieces
Agitator support non-motor side cpl.	10061073
Bearing	10061078
Bearing cover	10061079
Flange shaft	10061080
Disc	10061081
Sealing cone	10061076
Flange bushing	10061082
Disc	10061083
O-Ring 60 x 5	10000765
Parallel pin 3 m 6 x 10	10061084



Hopper

Description	ID. Number
Big-Rock	
Agitator shaft	10182402
Screw conveyor blade, righthand	10181752
Screw conveyor blade, lefthand	10181885
Screw M 10 x 80	10001162 6 Pieces
Nut M 10	10001250 6 Pieces
Screw retainer SKZ 10	10136867 6 Pieces
Screw M 8 x 25	10001004 3 Pieces
Screw retainer SKZ 8	10138329 3 Pieces
Screw M 6 x 20	10001575 2 Pieces
Screw retainer SKZ 6	10138328 2 Pieces
Screw retainer SKM 10	10129841
Agitator shaft	10167220
Agitator arm	10167218 2 Pieces
Agitator arm	10167219 2 Pieces
Agitator arm, asymmetrical	98408821 2 Pieces
Agitator shaft cpl. screwed	98402127
Agitator shaft	98402107 1 Pieces
Agitator arm, screwable	98353071 2 Pieces
Agitator arm, screwable	98353072 2 Pieces
Agitator arm, screwable	98439219 2 Pieces
Screw retainer	10129840 24 Pieces
Screw M 12 x 50	10001036 12 Pieces
Nut M 12	10001255 12 Pieces



Screwable agitator arm only available for Big-rock

Remote control systems

Description	ID. Number
SC 30	
Control transmitter	98438044
Control receiver	98357744
Rechargeable battery	98384265
Charger	98384266
Lap belt	98357764
Nape strap	98438794
FW 35	
FW35 cpl.	98422887
Transmitter FW35	98427066
Transmitter FW35 (with battery and lap belt)	98420723
Lap belt	98421714
Nape strap	98438794
Receiver-universal FW35	98420725
Rechargeable battery for FW35	98420745
Battery charger for FW35	98420726



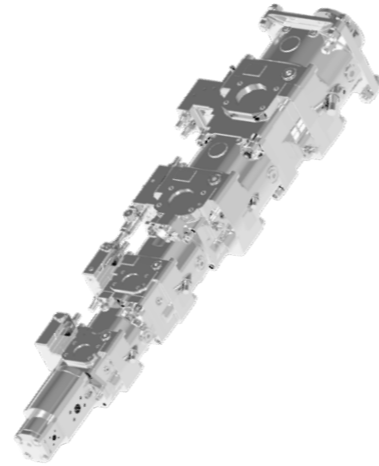
Water system

Description	ID. Number
Water pump 80 l / 20 bar (heavy duty)	10164399
Water pump 80 l / 20 bar (standard)	98335548
Water pump	30301745
Clutch hub motor side	10174462
Clutch hub pump side	10050289
Crown gear	10011759
Fixed displacement motor 16 cm³/U replaced by 98435766	10170752
High-pressure cleaner only for spare parts	10191774
High-pressure cleaner	98433441



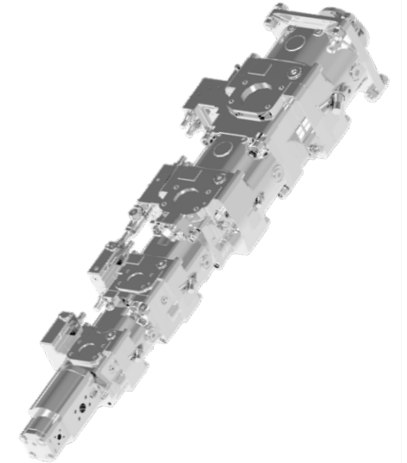
Drive unit

Description	ID. Number
Hydraulic pumps	
Concrete pump	
Variable displacement pump 190 cm ³ /U, right	10200404
Variable displacement pump 130 cm ³ /U, right	10200508
Concrete pump with vario pressure	
Variable displacement pump 190 cm ³ /U, right	98428073
Variable displacement pump 130 cm ³ /U, right	98438450
Boom pump	
Variable displacement pump 95 cm ³ /U, right	10199593
Variable displacement pump 95 cm ³ /U, left	10199594
Variable displacement pump 60 cm ³ /U, right	10199591
Variable displacement pump 60 cm ³ /U, left	10199592
Variable displacement pump 40 cm ³ /U, right	98402273
Variable displacement pump 40 cm ³ /U, left	98402274
Fixed displacement pump 22 cm ³ /U, right	98350352
Fixed displacement pump 22 cm ³ /U, left	98350353
MPS	
Variable displacement pump 40 cm ³ /U, right	10201751
Variable displacement pump 40 cm ³ /U, left	10201750
Variable displacement pump 28 cm ³ /U, right	98402279
Variable displacement pump 28 cm ³ /U, left	98402280
Cooling	
Fixed displacement pump 62+11 ccm/U, right, replaced by 98392866	98346064
Fixed displacement pump 61 + 11 cm ³ /U, left	98392867
Fixed displacement pump 61 + 9 + 11 cm ³ /U, right	98392868
Fixed displacement pump 61 + 9 + 11 cm ³ /U, left	98392869



Drive unit

Description	ID. Number
Regulators	
Regulator for 10201750, 10201751	98323647
Regulator for 10182875, 10185945, 10192569, 10197758	10209091
Regulator for 10199591, 10199592	98343910
Regulator for 10187679, 10187680	10209090
Regulator for 10200508, 98318397	98324527
Regulator for 98413147	98413150
Regulator for 98438405	98438453
Regulator for 30397202	98432167
Regulator for 10200404	10214487
Regulator for 10171369, 10186948, 10193444	98324528
Regulator for 10167660	98358768
Regulator for 98428073, 98426655, 98447473, 98426791	98416998



Hydraulics/ Boom control block

Description	ID. Number
Pressure accumulator	10159181
Bladder for pressure accumulator 6L	98319232
Valve insert	10204592
Valve Cartridge for 24 VDC	10160911
Sealingset for VPLSK2	10160917
Sealingset for VPLSK2	10160918



Repair solution available.

„The online spare parts catalog from SCHWING-Stetter. Find and order spare parts around the clock.“



Register now and use it free of charge!



- Spare parts for your SCHWING-Stetter fleet find and order around the clock
- Always the right parts for every machine
- Free registration and use
- Questions? Answers are available at: partsonline@schwing.de

Spare parts from Schwing Stetter.
Maximum performance and reliability.



SCHWING GmbH
Heerstrasse 9-27 · 44653 Herne, Deutschland
Phone +49 23 25 - 987-0 · Fax +49 23 25 - 72922
www.schwing-stetter.com · info@schwing.de

Stetter GmbH
Dr.-Karl-Lenz-Strasse 70 · 87700 Memmingen, Deutschland
Phone +49 83 31 - 78-0 · Fax +49 83 31 - 78 275
www.schwing-stetter.com · info@stetter.de

Subject to technical and dimensional modifications. Illustrations are non-binding. The exact standard specification, the scope of delivery and the technical data are detailed in the offer.